

JOCKEY WHEELS

6" 8" & 10" SIZES AVAILABLE



Available in swing up and clamp style varieties, Richmond Jockey Wheels are suitable for use on Caravans, Campers, Boat Trailers and a whole range of trailers used for transporting goods for leisure or business.



6" Clamp Jockey Wheel

S6026



6" Swing Up Jockey Wheel

S6066



8" Swing Up Jockey Wheel

S8026



10" Swing Up Jockey Wheel

S1073

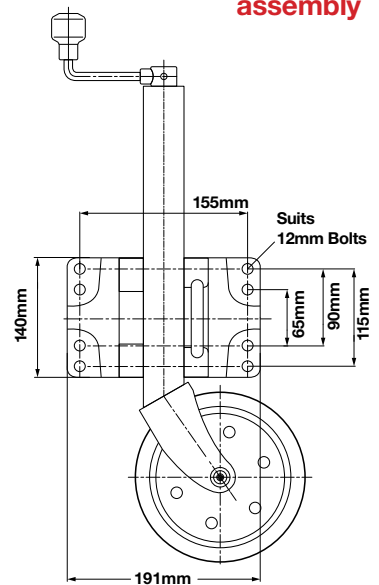


IMPORTANT NOTE:

When moving equipment best performance is achieved with jockey wheel being at a lowest position. Moving equipment with jockey wheel in a high position is not safe or advised. All load capacities are based on smooth concrete or asphalt surfaces.

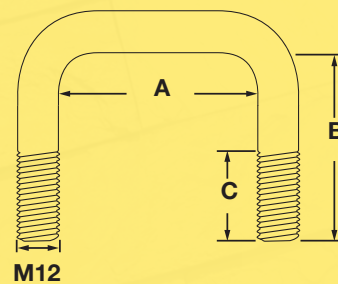
Part Number	Diameter (mm)	Width (mm)	Wheel Type	Load Capacity	Raised Height (mm)	Lowered Height (mm)
S6026	150	45	Black Rubber	350kg static	850	540
S6066	150	45	Black Rubber	350kg static	850	540
S8026	200	55	Rubber Tyred	400kg static	890	600
S1073	250	85	Rubber Tyred	400kg static	910	650

Example of heavy duty plate assembly



U-BOLTS TO SUIT

Part Number	To suit draw bar	A (mm)	B (mm)	C (mm)
UBOLT50X50	50 x 50mm	53	78	40
UBOLT75X50	75 x 50mm	77	78	40
UBOLT75X75	75 x 75mm	77	103	40
UBOLT100x50	100 x 50mm	103	40	103



All U-Bolts are made from zinc plated steel

SPARE PARTS AVAILABLE

Part Number	Description
JKWCLAMP	Spare clamp to suit S6026 jockey wheel, suits 12mm bolt, 145mm hole centres
JKWHANDLE	Spare handle to suit jockey wheels, 145mm overall width, suits 12mm shaft
JKW006	Spare 150mm (6") black rubber wheel to suit S6026 & S6066 jockey wheels
JKW008	Spare 200mm (8") rubber tyred wheel to S8026 suit jockey wheels
JKW010	Spare 250mm (10") rubber tyred wheel to suit S1073 jockey wheels



JKWCLAMP



JKWHANDLE



JKW006



JKW008



JKW010